

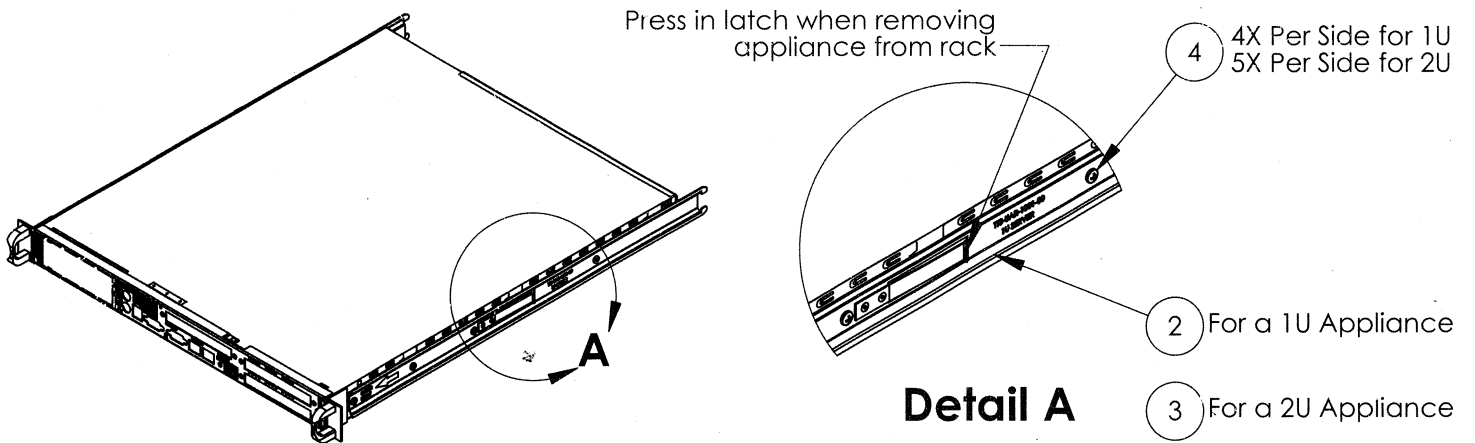
Universal Appliance Rail Installation Instructions, 4 Post Appliance Rack

Rack configurations: 4 post rack, square hole
 4 post rack, round non-threaded hole
 4 post rack, round hole threaded

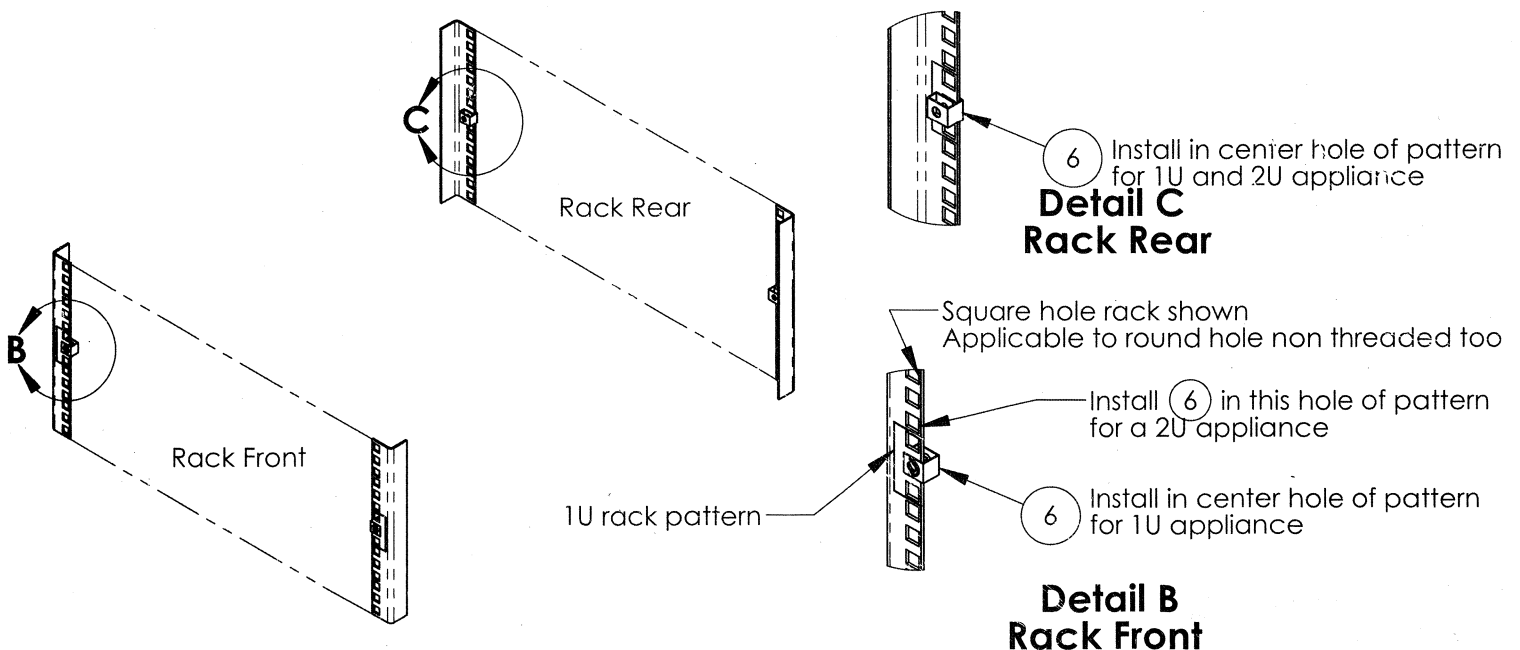
Tools required: Philips head screw driver

Box Contents		
Item	Qty	Description
1	2	Adjustable Rail Assembly
2	2	Fixed Bracket, 1U Appliance (P/N TTS-UAR-1001-00)
3	2	Fixed Bracket, 2U Appliance (P/N TTS-UAR-1002-00)
4	10	Pan Head Screw, Philips, M4 X 5mm Long
5	4	Pan Head Screw, Philips, #10-32 X 1/2 Inch Long
6	4	Square Nut Retainer Tinnerman Clip, #10-32
7	1	Instructions (This documentation)

Step 1: Install Fixed bracket onto appliance (fixed brackets are marked for 1U or 2U appliance)

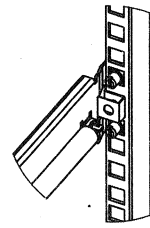
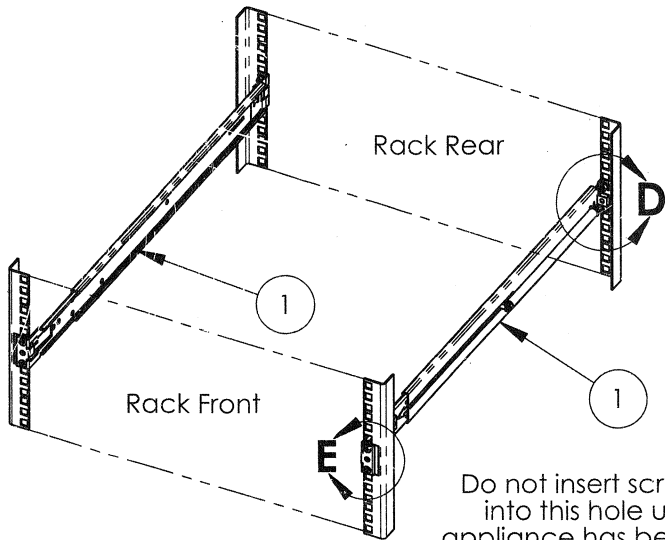


Step 2: Install Square Nut Retainer onto Rack (skip this step for round hole threaded racks)

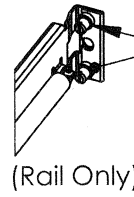


Universal Appliance Rail Installation Instructions, 4 Post Appliance Rack

Step 3: Install adjustable rail assembly into rack



**Detail D
Rack Rear**



(Rail Only)

For round hole threaded racks remove stud and discard. Secure the rail to the rack using the flat head screws that were holding the studs in place

For square hole and round hole non threaded racks insert studs into hole in rear of rack

Do not insert screw into this hole until appliance has been installed into the rack

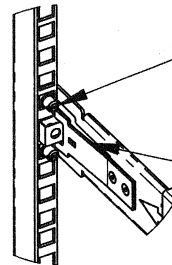
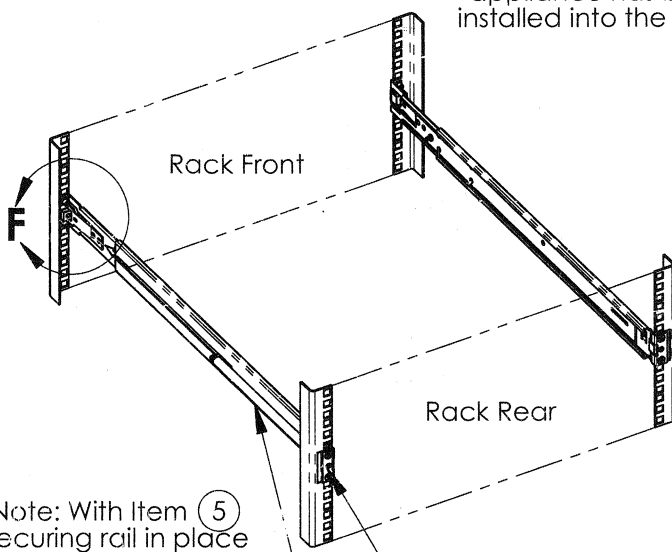


**Detail E
Rack Front**

(Rail Only)

For round hole threaded racks remove stud and discard. Secure the rail to the rack using the flat head screws that were holding the studs in place

For square hole and round hole non threaded racks pull the rail forward and insert studs into holes in front of rack



**Detail F
Rack Front**

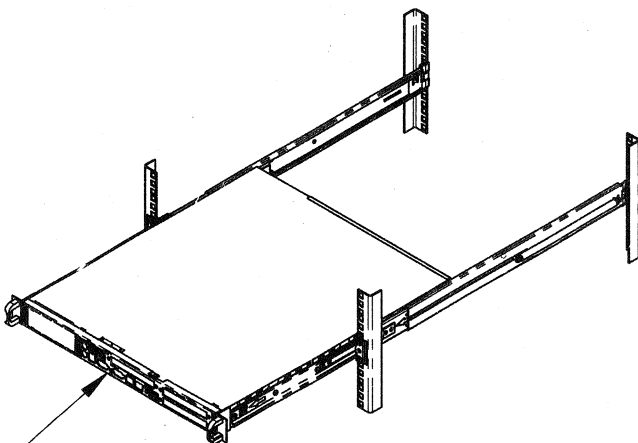
Rail locating stud shown in proper position for square and round hole non threaded racks

Latching spring in place

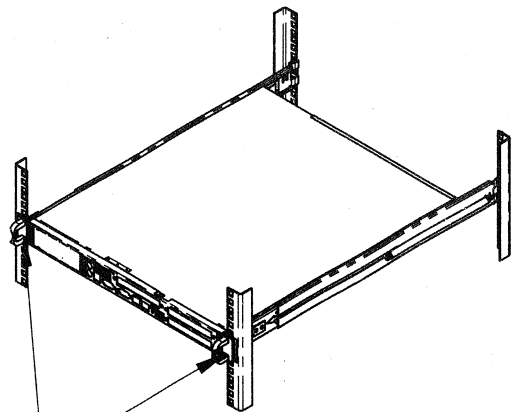
Note: With Item 5 securing rail in place spring may be removed if required.

5 Use to lock rear rail flange into the rack.

Step 4: Install appliance into rack



Appliance shown in latched extended position



Appliance shown fully inserted
Lock appliance in place using item 5